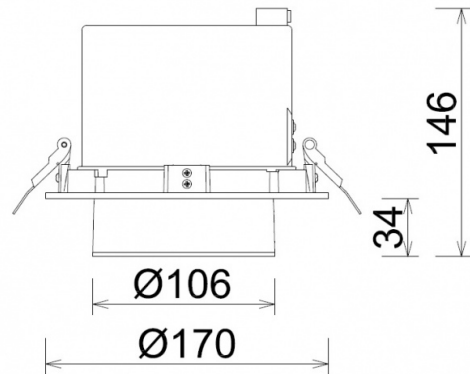


- Semi recessed LED adjustable scoop
- Die cast aluminium passive thermal cooling management housing
- Faceted highly-reflective zero iridescence aluminium reflector
- Available with 28° reflector, 44° reflector
- Replaces existing 12V 35W/50W/75W
- CDMT 20/35/50W downlights
- Providing an excellent luminaire efficacy up to 125 lm/W
- Stable colour temperature of 3000K warm white or 4000K cool white
- Excellent colour rendering throughout entire service life
- Colour rendering index: RA>80
- Luminaire supplied with driver
- Luminaire pre-wired using halogen-free cable
- 5-pole terminal; cable connection loop-in / loop-out
- Efficient general lighting for all areas of application
- Supplied with fixed output Tridonic driver.
- Weight 1.1kg, mains voltage 220-240V
- Mains frequency 50 / 60 Hz
- Operating ambient temperature: -25°C to +30°C
- Can be connected to 220 DC central battery
- Conforms to EN60 598-2-2 BS4533 C €
- Tridonic SLE led module



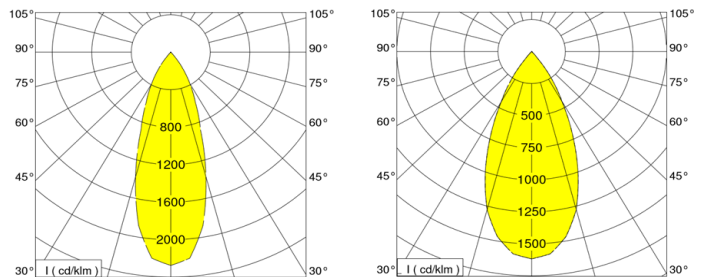
Add suffix to catalogue number:

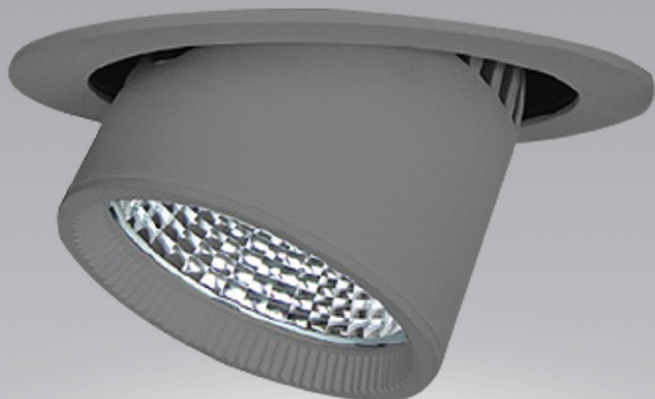
EM3: 3 hour emergency. **EM3ST:** 3 hour self test emergency.

SD: Dimming with push to make switch. **DALI:** Digital Addressable Lighting Interface. **W:** White bezel. **BK:** Black bezel.

SP: Any Ral colour please specify. **28R:** 28° Reflector. **44R:** 44° Reflector.

Please note that with the continuous rapid development in lighting technology, specification values may change. Contact our technical department for details. We reserve the right to amend or change details without prior notification. All performance data is taken at an ambient temperature of +25°C. Lumens and connected system load are subject to an initial tolerance of up to +/- 10%.





X14LED SCOOP SPECIFICATION

CAT No	Colour Temp (K)	Colour Rendering (RA)	Life (L90) (hrs)	Total Delivered Lumens (lm)	Connected Load Total Watts (tcw)	Luminaire System Efficacy (lm/W)
X14 984	4000	CRI 80	60000	1290	9.5	135.79
X14 9835	3500	CRI 80	60000	1250	9.5	131.58
X14 983	3000	CRI 80	60000	1200	9.5	126.32
X14 982	2700	CRI 80	60000	1170	9.5	123.16
X14 1384	4000	CRI 80	60000	1750	13.5	129.63
X14 13835	3500	CRI 80	60000	1710	13.5	126.67
X14 1383	3000	CRI 80	60000	1690	13.5	125.19
X14 1382	2700	CRI 80	60000	1640	13.5	121.48
X14 1984	4000	CRI 80	60000	2490	19	131.05
X14 19835	3500	CRI 80	60000	2443	19	128.58
X14 1983	3000	CRI 80	60000	2300	19	121.05
X14 1982	2700	CRI 80	60000	2270	19	119.47
X14 2484	4000	CRI 80	60000	2880	23	125.22
X14 24835	3500	CRI 80	60000	2850	23	123.91
X14 2483	3000	CRI 80	60000	2800	23	121.74
X14 2482	2700	CRI 80	60000	2700	23	117.39
X14 2784	4000	CRI 80	60000	3400	27	125.93
X14 27835	3500	CRI 80	60000	3330	27	123.33
X14 2783	3000	CRI 80	60000	3200	27	118.52
X14 2782	2700	CRI 80	60000	3100	27	114.81

X14LED SCOOP SPECIFICATION

CAT No	Colour Temp (K)	Colour Rendering (RA)	Life (L90) (hrs)	Total Delivered Lumens (lm)	Connected Load Total Watts (tcw)	Luminaire System Efficacy (lm/W)
X14 993	4000	CRI 90	60000	1093	9.5	115.05
X14 9935	3500	CRI 90	60000	1050	9.5	110.53
X14 983	3000	CRI 90	60000	1023	9.5	107.68
X14 982	2700	CRI 90	60000	1531	9.5	161.16
X14 1394	4000	CRI 90	60000	1498	13.5	110.96
X14 13935	3500	CRI 90	60000	1478	13.5	109.48
X14 1393	3000	CRI 90	60000	1435	13.5	106.30
X14 1392	2700	CRI 90	60000	2178	13.5	161.33
X14 1994	4000	CRI 90	60000	2137	19	112.47
X14 19935	3500	CRI 90	60000	2012	19	105.89
X14 1993	3000	CRI 90	60000	1986	19	104.53
X14 1992	2700	CRI 90	60000	2520	19	132.63
X14 2494	4000	CRI 90	60000	2495	23	108.48
X14 24935	3500	CRI 90	60000	2450	23	106.52
X14 2493	3000	CRI 90	60000	2370	23	103.04
X14 2492	2700	CRI 90	60000	2975	23	129.35
X14 2794	4000	CRI 90	60000	2920	27	108.15
X14 27935	3500	CRI 90	60000	2800	27	103.70
X14 2793	3000	CRI 90	60000	2720	27	100.74
X14 2792	2700	CRI 90	60000	2712	27	100.44