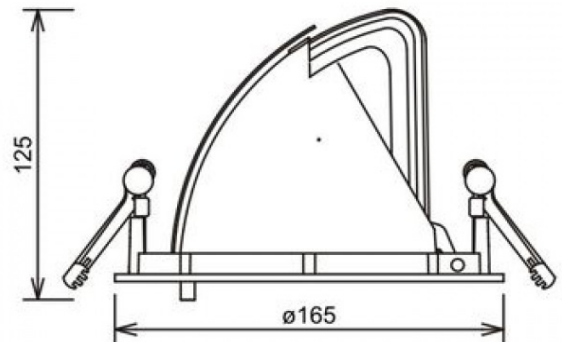


- Recessed LED adjustable gimbal
- Die cast aluminium passive thermal cooling management housing
- Faceted highly-reflective zero iridescence aluminium reflector
- Available with 28° reflector, 44° reflector
- Replaces existing 12V 35W/50W/75W
- CDMT 20/35/50W downlights
- Providing an excellent luminaire efficacy up to 125 lm/W
- Stable colour temperature of 3000K warm white or 4000K cool white
- Excellent colour rendering throughout entire service life
- Colour rendering index: RA>80
- Luminaire supplied with driver
- Luminaire pre-wired using halogen-free cable
- 5-pole terminal; cable connection loop-in / loop-out
- Weight 1.1kg
- Mains voltage 220-240V
- Mains frequency 50 / 60 Hz
- Operating ambient temperature: -25°C to +30°C
- Can be connected to 220 DC central battery
- Conforms to EN60 598-2-2 BS4533 C €
- Tridonic SLE led module



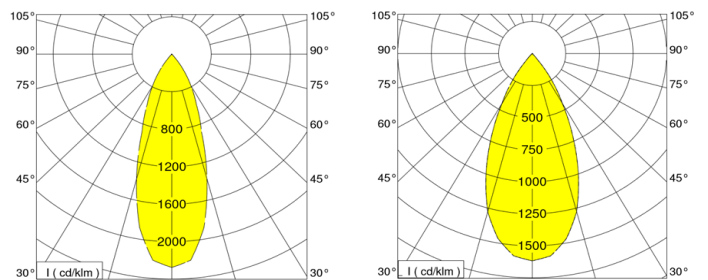
**Add suffix to catalogue number:**

**EM3:** 3 hour emergency. **EM3ST:** 3 hour self test emergency.

**SD:** Dimming with push to make switch. **DALI:** Digital Addressable Lighting Interface. **W:** White bezel. **BK:** Black bezel.

**SP:** Any RAL colour please specify. **28R:** 28° Reflector. **44R:** 44° Reflector.

Please note that with the continuous rapid development in lighting technology, specification values may change. Contact our technical department for details. We reserve the right to amend or change details without prior notification. All performance data is taken at an ambient temperature of +25°C. Lumens and connected system load are subject to an initial tolerance of up to +/- 10%.





**X15LED GIMBAL SPECIFICATION**

CAT No	Colour Temp (K)	Colour Rendering (RA)	Life (L90) (hrs)	Total Delivered Lumens (lm)	Connected Load Total Watts (tcw)	Luminaire System Efficacy (lm/W)
X15 984	4000	CRI 80	60000	1290	9.5	135.79
X15 9835	3500	CRI 80	60000	1250	9.5	131.58
X15 983	3000	CRI 80	60000	1200	9.5	126.32
X15 982	2700	CRI 80	60000	1170	9.5	123.16
X15 1384	4000	CRI 80	60000	1750	13.5	129.63
X15 13835	3500	CRI 80	60000	1710	13.5	126.67
X15 1383	3000	CRI 80	60000	1690	13.5	125.19
X15 1382	2700	CRI 80	60000	1640	13.5	121.48
X15 1984	4000	CRI 80	60000	2490	19	131.05
X15 19835	3500	CRI 80	60000	2443	19	128.58
X15 1983	3000	CRI 80	60000	2300	19	121.05
X15 1982	2700	CRI 80	60000	2270	19	119.47
X15 2484	4000	CRI 80	60000	2880	23	125.22
X15 24835	3500	CRI 80	60000	2850	23	123.91
X15 2483	3000	CRI 80	60000	2800	23	121.74
X15 2482	2700	CRI 80	60000	2700	23	117.39
X15 2784	4000	CRI 80	60000	3400	27	125.93
X15 27835	3500	CRI 80	60000	3330	27	123.33
X15 2783	3000	CRI 80	60000	3200	27	118.52
X15 2782	2700	CRI 80	60000	3100	27	114.81

**X15LED GIMBAL SPECIFICATION**

CAT No	Colour Temp (K)	Colour Rendering (RA)	Life (L90) (hrs)	Total Delivered Lumens (lm)	Connected Load Total Watts (tcw)	Luminaire System Efficacy (lm/W)
X15 984	4000	CRI 80	60000	1093	9.5	115.05
X15 9835	3500	CRI 80	60000	1050	9.5	110.53
X15 983	3000	CRI 80	60000	1023	9.5	107.68
X15 982	2700	CRI 80	60000	1531	9.5	161.16
X15 1394	4000	CRI 90	60000	1498	13.5	110.96
X15 13935	3500	CRI 90	60000	1478	13.5	109.48
X15 1393	3000	CRI 90	60000	1435	13.5	106.30
X15 1392	2700	CRI 90	60000	2178	13.5	161.33
X15 1994	4000	CRI 90	60000	2137	19	112.47
X15 19935	3500	CRI 90	60000	2012	19	105.89
X15 1993	3000	CRI 90	60000	1986	19	104.53
X15 1992	2700	CRI 90	60000	2520	19	132.63
X15 2494	4000	CRI 90	60000	2495	23	108.48
X15 24935	3500	CRI 90	60000	2450	23	106.52
X15 2493	3000	CRI 90	60000	2370	23	103.04
X15 2492	2700	CRI 90	60000	2975	23	129.35
X15 2794	4000	CRI 90	60000	2920	27	108.15
X15 27935	3500	CRI 90	60000	2800	27	103.70
X15 2793	3000	CRI 90	60000	2720	27	100.74
X15 2792	2700	CRI 90	60000	2712	27	100.44