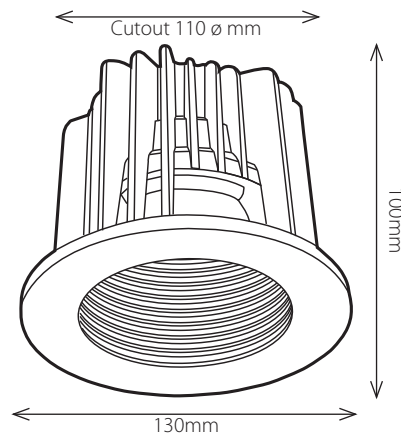




- Die cast aluminium passive thermal cooling management housing
- Faceted highly-reflective zero iridescence aluminium reflector
- Cast twist and lock bezel
- Replaces existing 12v 35W/50W/75W CDMT 20/35/50W downlights
- Providing an excellent luminaire efficacy up to 103 lm/W
- Stable colour temperature of 3000K warm white or 4000 cool white
- Excellent colour rendering throughout entire service life
- Luminaire supplied with driver
- Simple twist-and-lock mechanism for quick tool-free accessories attachment
- Luminaire pre-wired using halogen-free cable
- 5-pole terminal; cable connection loop-in/loop-out
- Efficient general lighting for all areas of application:
- Weight .77kg, mains voltage 220-240V
- Mains frequency 50 / 60 Hz
- Operating ambient temperature: -25°C to +30°C
- Can be connected to 220 DC central battery
- Tridonic SLE LED module
- Conforms to BS EN60598 C E



## Options

- Bezel matt white as standard, polished chrome, brushed steel and brass
- Any other RAL colour to order
- Dimming options, DALI, DSI Switch DIM, 3 hour emergency versions
- Self test, DALI, IP54 and IP65 bezel
- Full range of accessories available
- Accessories mounted in twist and lock bezel

L90 means that the LED module will give 80 % of its initial luminous flux. This value is always related to the number of operation hours and therefore defines the lifetime of an LED module. Please note that with the continuous rapid development in lighting technology, specification values may change. Contact our technical department for details. We reserve the right to amend or change details without prior notification. All performance data is taken at an ambient temperature of +25°C. Lumens and connected system load are subject to an initial tolerance of up to +/- 10%.



### Add suffix to catalogue number:

**EM3:** 3 hour emergency. **EM3ST:** 3 hour self test emergency.

**EM3DALI:** DALI addressable emergency. **SD:** Dimming with push to make switch.

**DALI:** Digital Addressable Lighting Interface. **W:** White bezel.

**PC:** Polished chrome bezel. **BS:** Brushed chrome bezel.

**SP:** Any RAL colour please specify. **28R** 28° Reflector **44R** 44° Reflector

Please note that with the continuous rapid development in lighting technology, specification values may change. Contact our technical department for details. We reserve the right to amend or change details without prior notification. All performance data is taken at an ambient temperature of +25°C. Lumens and connected system load are subject to an initial tolerance of up to +/- 10%.

## X2 SPECIFICATION

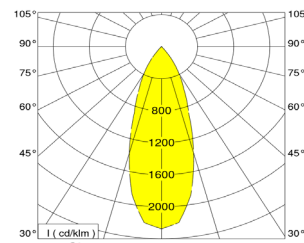
Colour rendering index: RA>80

CAT No	Colour Temp (K)	Colour Rendering (RA)	Life (L90) (hrs)	Total Delivered Lumens (lm)	Connected Load Total Watts (tcw)	Luminaire System Efficacy (lm/W)
X2 984	4000	CRI 80	60000	1290	9.5	135.79
X2 9835	3500	CRI 80	60000	1250	9.5	131.58
X2 983	3000	CRI 80	60000	1200	9.5	126.32
X2 982	2700	CRI 80	60000	1170	9.5	123.16
X2 1384	4000	CRI 80	60000	1750	13.5	129.63
X2 13835	3500	CRI 80	60000	1710	13.5	126.67
X2 1383	3000	CRI 80	60000	1690	13.5	125.19
X2 1382	2700	CRI 80	60000	1640	13.5	121.48
X2 1984	4000	CRI 80	60000	2490	19	131.05
X2 19835	3500	CRI 80	60000	2443	19	128.58
X2 1983	3000	CRI 80	60000	2300	19	121.05
X2 1982	2700	CRI 80	60000	2270	19	119.47
X2 2484	4000	CRI 80	60000	2880	23	125.22
X2 24835	3500	CRI 80	60000	2850	23	123.91
X2 2483	3000	CRI 80	60000	2800	23	121.74
X2 2482	2700	CRI 80	60000	2700	23	117.39
X2 2784	4000	CRI 80	60000	3400	27	125.93
X2 27835	3500	CRI 80	60000	3330	27	123.33
X2 2783	3000	CRI 80	60000	3200	27	118.52
X2 2782	2700	CRI 80	60000	3100	27	114.81

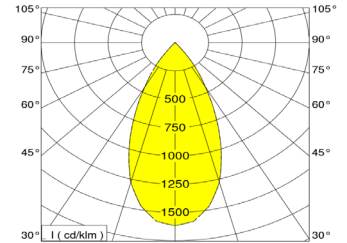
## X2 SPECIFICATION

Colour rendering index: RA>90

CAT No	Colour Temp (K)	Colour Rendering (RA)	Life (L90) (hrs)	Total Delivered Lumens (lm)	Connected Load Total Watts (tcw)	Luminaire System Efficacy (lm/W)
X2 1394	4000	CRI 90	60000	1470	12.5	117.60
X2 13935	3500	CRI 90	60000	1405	12.5	112.40
X2 1393	3000	CRI 90	60000	1390	12.5	111.20
X2 1392	2700	CRI 90	60000	1270	12.5	101.60
X2 1994	4000	CRI 90	60000	2220	19	116.84
X2 19935	3500	CRI 90	60000	2105	19	110.79
X2 1993	3000	CRI 90	60000	2020	19	106.32
X2 1992	2700	CRI 90	60000	1950	19	102.63
X2 2494	4000	CRI 90	60000	2700	24.5	110.20
X2 24935	3500	CRI 90	60000	2590	24.5	105.71
X2 2493	3000	CRI 90	60000	2330	24.5	95.10
X2 2492	2700	CRI 90	60000	2090	24.5	85.31
X2 3194	4000	CRI 90	60000	3300	31	106.45
X2 31935	3500	CRI 90	60000	3160	31	101.94
X2 3193	3000	CRI 90	60000	3030	31	97.74
X2 3192	2700	CRI 90	60000	2900	31	93.55
X2 2784	4000	CRI 80	60000	3400	27	125.93
X2 27835	3500	CRI 80	60000	3330	27	123.33
X2 2783	3000	CRI 80	60000	3200	27	118.52
X2 2782	2700	CRI 80	60000	3100	27	114.81



28° Reflector



44° Reflector



Please note that with the continuous rapid development in lighting technology, specification values may change. Contact our technical department for details. We reserve the right to amend or change details without prior notification. All performance data is taken at an ambient temperature of +25°C. Lumens and connected system load are subject to an initial tolerance of up to +/- 10%.