



- High-efficient LED lighting recessed luminaire
- Recess depth only 100mm die cast aluminium
- Die cast aluminium passive thermal cooling management housing
- Faceted highly-reflective zero iridescence wide beam aluminium reflector
- Cast twist and lock bezel supplied with clear glass
- UGR 19
- Replacing existing compact fluorescent 18 -42 single / twin CDMT, 20W/35W/70W downlights
- Providing an excellent luminaire efficacy up to 123 lm/W
- Stable colour temperature of 3000 Kelvin or 4000 Kelvin
- Excellent colour rendering throughout entire service life
- Efficient general lighting for all areas of application
- Supplied with fixed output driver
- 5 pole terminal cable connection loop-in/loop-out
- Weight .1.5kg, mains voltage 220-240V, mains frequency 50 / 60 Hz
- Operating ambient temperature: -25°C to +30°C
- Can be connected to 220 DC central battery
- Wide beam reflector
- Conforms to BS EN60598 C €

### Options

- Bezel matt white as standard, polished chrome, brushed steel and Brass
- Any other RAL colour to order
- Dimming options, DALI, DSI Switch DIM, 3 hour emergency version
- IP54 and IP65 bezel
- Full range of accessories available



L90 means that the LED module will give 80 % of its initial luminous flux. This value is always related to the number of operation hours and therefore defines the lifetime of an LED module. Please note that with the continuous rapid development in lighting technology, specification values may change. Contact our technical department for details. We reserve the right to amend or change details without prior notification. All performance data is taken at an ambient temperature of +25°C Lumens and connected system load are subject to an initial tolerance of up to +/- 10%.

**HE** high efficiency, **BLO** Best LED operation , **HO** high output. **BLO operation mode:** Best LED Operation for optimum operation and constant luminous flux at all colour temperatures.

### Add suffix to catalogue number:

**EM3:** 3 hour emergency. **EM3ST:** 3 hour self test emergency.

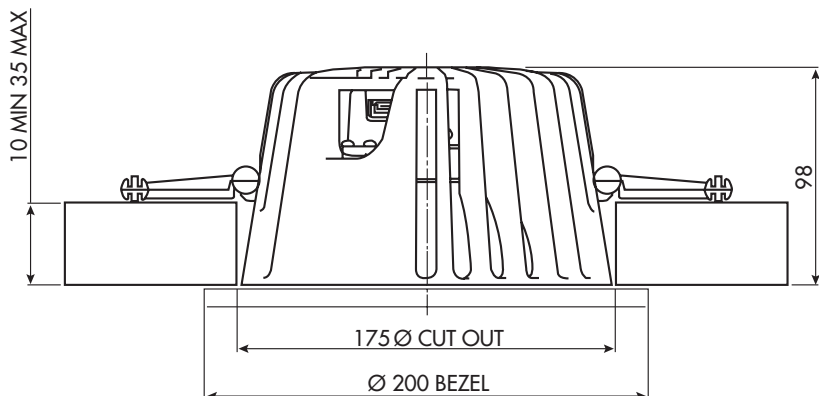
**EM3DALI:** DALI addressable emergency

**SD:** Switch DIM dimming with push to make switch.

**DALI:** Digital Addressable Lighting Interface.

**W:** White bezel. **PC:** Polished chrome bezel.

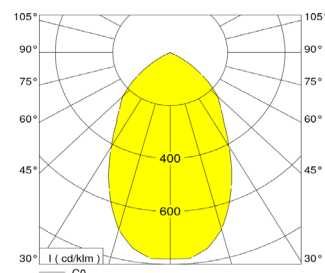
**BS:** Brushed chrome bezel. **SP:** Any RAL colour please specify



### X3CLASSIC SPECIFICATION

Colour rendering index: RA>80

CAT No	Colour Temp (K)	Colour Rendering (RA)	Life (L90) (hrs)	Total Delivered Lumens (lm)	Connected Load Total Watts (tcw)	Luminaire System Efficacy (lm/W)
X3 983	3000	80	60000	1060	9.5	111.58
X3 984	4000	80	60000	1120	9.5	117.89
X3 1383	3000	80	60000	1400	13	107.69
X3 1384	4000	80	60000	1350	13	103.85
X3 1583	3000	80	60000	1600	15	106.67
X3 1584	4000	80	60000	1670	15	111.33
X3 2083	3000	80	60000	2100	19.5	107.69
X3 2084	4000	80	60000	2200	19.5	112.82
X3 2883	3000	80	60000	2700	25	108.00
X3 2884	4000	80	60000	2800	25	112.00
X3 3583	3000	80	60000	2900	28	103.57
X3 3584	4000	80	60000	3000	28	107.14



The Library of Birmingham



Co-operative Building - Manchester



Please note that with the continuous rapid development in lighting technology, specification values may change. Contact our technical department for details. We reserve the right to amend or change details without prior notification. All performance data is taken at an ambient temperature of +25°C. Lumens and connected system load are subject to an initial tolerance of up to +/- 10%.